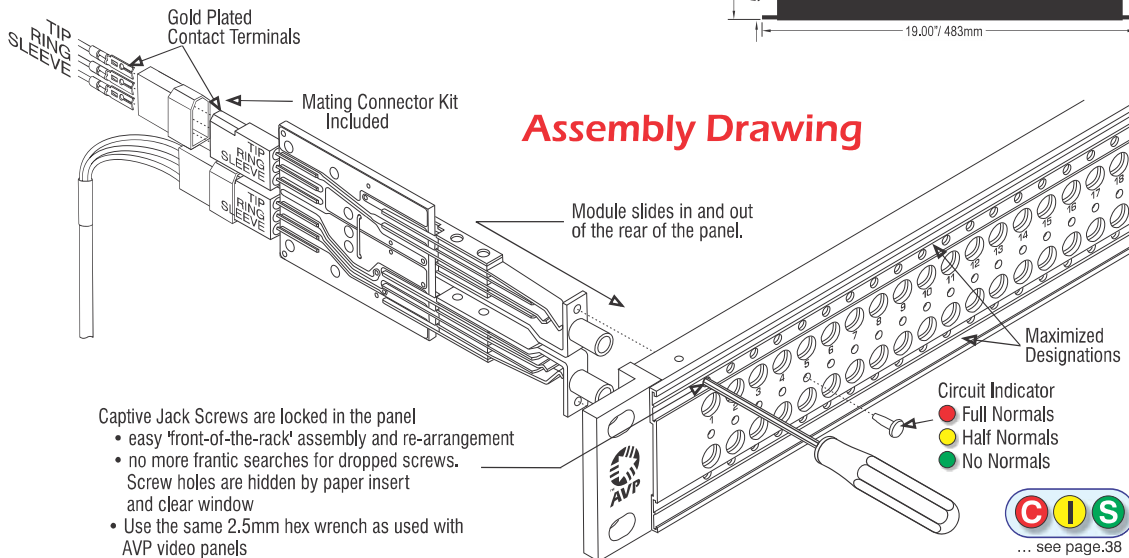
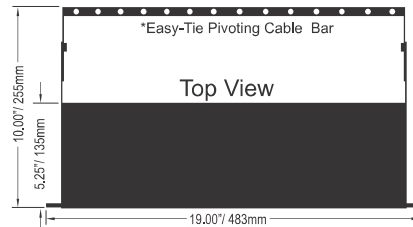




Keep an inventory of Morph Modules and empty Morph frames to allow custom jackfield assembly or re-configuration in minutes! Morph modules fit 1, 1.5 & 2 Rack Unit frames.



Assembly Drawing

Each Morph Jackfield is shipped complete with its crimp-pin mating connector kit and a captive hex driver. (See ordering information for more details)



Mating Connector Kit

Tooling

Mating Connector Kits, below, do not include the captive hex driver. Please contact AVP if required.

- MK224P-E03C** EDAC 3Pin Primaries Kit for 2x24 Patchbay, Crimp
- MK226P-E03C** EDAC 3Pin Primaries Kit for 2x26 Patchbay, Crimp
- MK224P-E03S** EDAC 3Pin Primaries Kit for 2x24 Patchbay, Solder
- MK226P-E03S** EDAC 3Pin Primaries Kit for 2x26 Patchbay, Solder

Ordering Information (over)