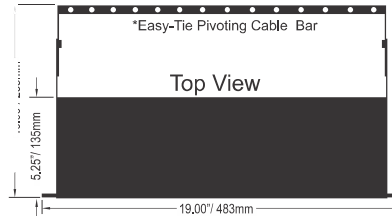




Keep an inventory of Morph Modules and empty Morph frames to allow custom jackfield assembly or re-configuration in minutes! Morph modules fit 1, 1.5 & 2 Rack Unit frames.



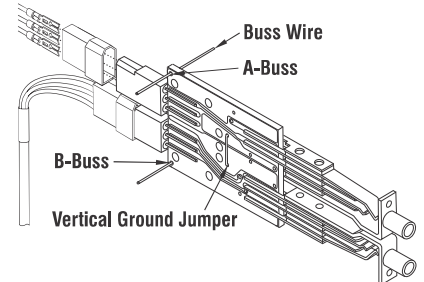
Morph Module Grounding

All modules in the Morph line offer a number of options for the shield connections of the jacks.

Most common are the 'Vertical Ground' and 'Bussed Ground'.

Vertical Ground

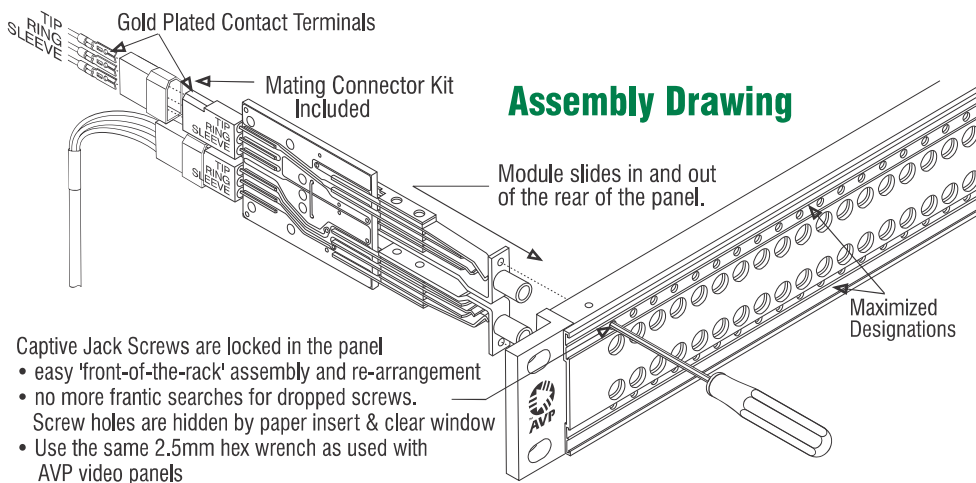
The Vertical Ground option connects the shield from the 'A' row jack (top row) to the 'B' row jack (bottom row). This is accomplished by inserting a solid wire jumper that is the same shape and size as a standard paper staple into a set of holes on the module's printed circuit board. The jumper is then soldered in place to complete the connection.



Buss Ground

For the Buss Ground option each module is connected to its neighbour with two solid buss wires. The buss wires are easily slid from module to module through large holes on the printed circuit board. These holes are marked 'A-Buss' and 'B-Buss' on the diagram. The buss wire is then soldered at each module to form the buss. At the left rear side of the panel there are two solder point terminals, one for the A row and one for the B row. The buss wire is connected to the terminal on the inside of the jackfield and provides the customer a location for making external connection to the busses.

To remove a module after applying the Buss Ground option, it is necessary to cut the buss wire on either side of the module to be removed. After the module is replaced a short buss wire can be re-attached to the cut end of the main buss wire to re-establish the buss grounds across the jackfield.



- easy 'front-of-the-rack' assembly and re-arrangement
- no more frantic searches for dropped screws.
- Screw holes are hidden by paper insert & clear window
- Use the same 2.5mm hex wrench as used with AVP video panels

Each Morph Jackfield is shipped complete with its crimp-pin mating connector kit and a captive hex driver

(See ordering information for more details)



Mating Connector Kits, below, do not include the captive hex driver. Please contact AVP if required.

- MK224P-E03C** EDAC 3Pin Primaries Kit for 2x24 Patchbay, Crimp
- MK226P-E03C** EDAC 3Pin Primaries Kit for 2x26 Patchbay, Crimp
- MK224P-E03S** EDAC 3Pin Primaries Kit for 2x24 Patchbay, Solder
- MK226P-E03S** EDAC 3Pin Primaries Kit for 2x26 Patchbay, Solder

Tooling

EDAC Hand Crimp Tool
AVP Model **AT-EHCT**



EDAC Insertion Tool
AVP Model **AT-EIT**

EDAC Ejection Tool
AVP Model **AT-EET**

