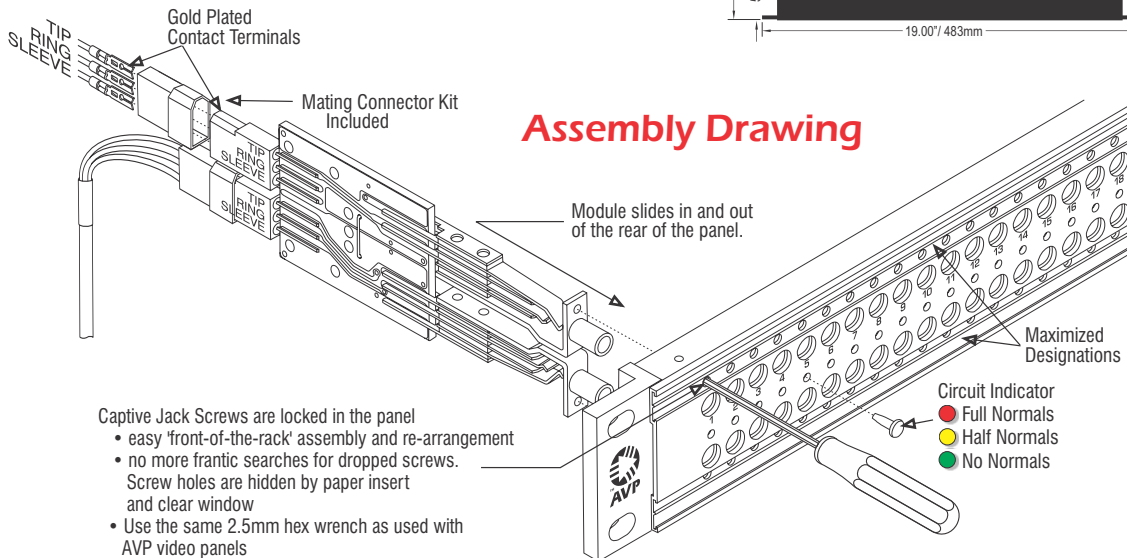
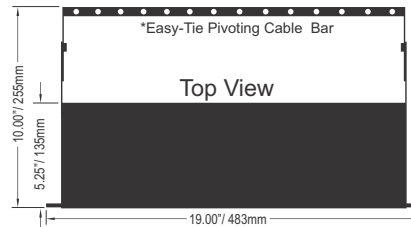


Keep an inventory of Morph Modules and empty Morph frames to allow custom jackfield assembly or re-configuration in minutes! Morph modules fit 1, 1.5 & 2 Rack Unit frames.



## Assembly Drawing

Each Morph Jackfield is shipped complete with its crimp-pin mating connector kit and a captive hex driver. (See ordering information for more details)



Mating Connector Kits, below, do not include the captive hex driver. Please contact AVP if required.

- MK224P-E03C** EDAC 3Pin Primaries Kit for 2x24 Patchbay, Crimp
- MK226P-E03C** EDAC 3Pin Primaries Kit for 2x26 Patchbay, Crimp
- MK224P-E03S** EDAC 3Pin Primaries Kit for 2x24 Patchbay, Solder
- MK226P-E03S** EDAC 3Pin Primaries Kit for 2x26 Patchbay, Solder



## Mating Connector Kit Tooling

### CRIMP CHARACTERISTICS

- Contacts and Crimp Tools Accommodate from 28 AWG to 18 AWG, Solid or Stranded Conductor Diameters from .012" (0.30) to .049" (1.25) and an Insulation Diameter up to .074" (1.88)
- Multiple Smaller Gauge Wires may be Crimped Together
- Crimp Resistance from 0.5 Milliohms (18 AWG) to 1.5 Milliohms (28AWG)